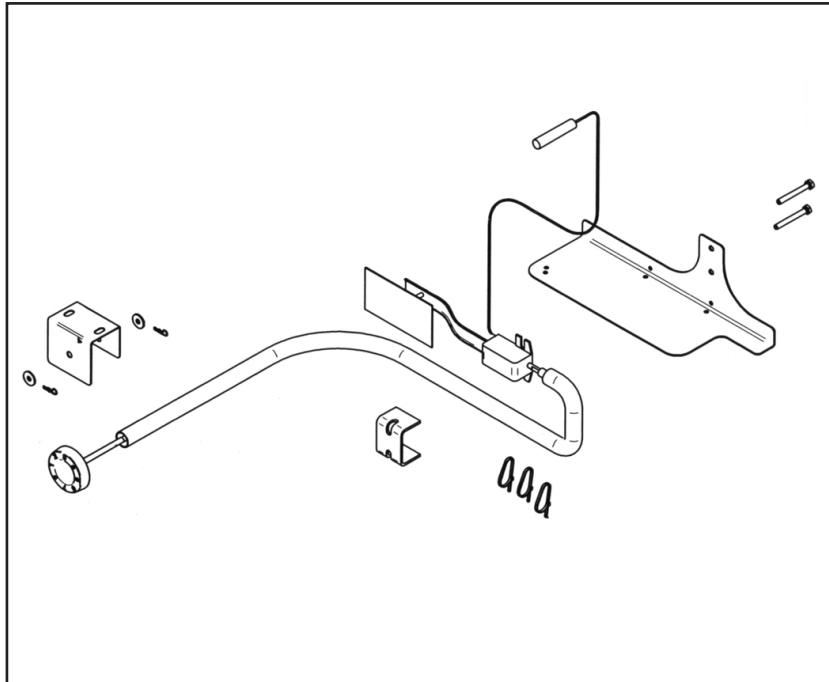


Yeoman

A NATURAL WARMTH



Thermostat kit for High Output Boiler Systems

Instructions for Use, Installation and Servicing

For use in GB & IE (Great Britain and Republic of Ireland).

This appliance is for use in countries other than those stated. To install this appliance in these countries, it is essential to obtain the translated instructions and in some cases the appliance will require modification. Contact Yeoman for further information.

IMPORTANT

This manual should be read in conjunction with the Instructions for Use, Installation and Servicing of the appliance. The thermostat is fitted to in order to ensure the safe running and operation of the appliance.

Please read these Instructions carefully before installation or use.
Keep them in a safe place for future reference and when servicing the appliance.

COVERING THE FOLLOWING MODELS:

YEOMAN DEVON / COUNTY 60 / COUNTY 80 / CL 8 / CL 7 INSET

CONTENTS

GENERAL INFORMATION	3
Introduction	3
General Points	3
OPERATING INSTRUCTIONS	3
Operating Instructions	3
INSTALLATION INSTRUCTIONS	4
Parts List	4
Installation - Devon & County 60/80	4
Installation - CL 8HB	6
Installation - CL 7 Inset	7
COMMISSIONING	9

USER INSTRUCTIONS

INTRODUCTION

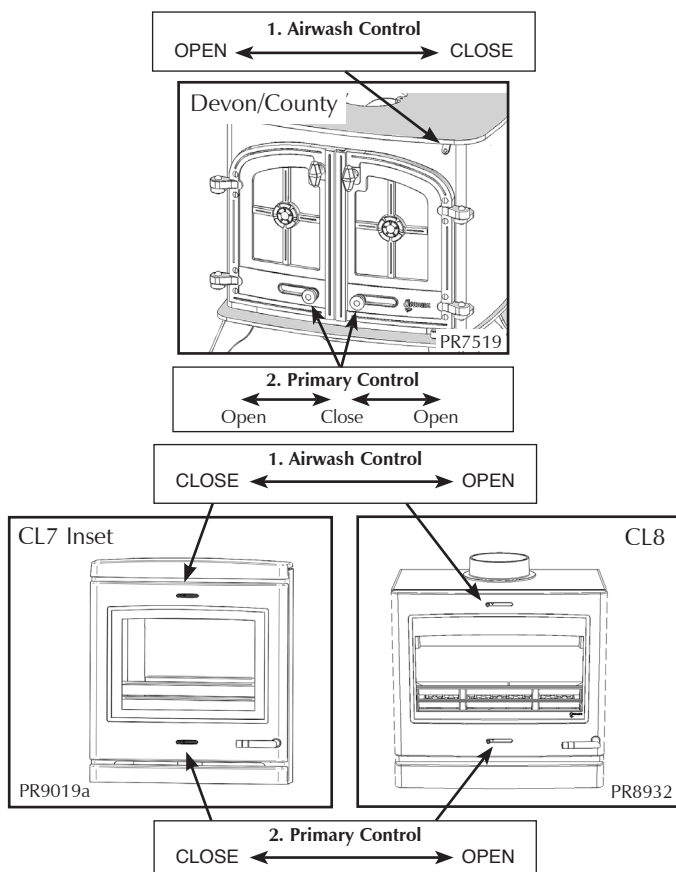
This booklet is to be read in conjunction with the instructions supplied with Yeoman solid fuel central heating boilers PM302/PM442/PM676 and is intended to give supplementary guidance regarding the Installation, Use and Servicing of this thermostat when used in conjunction with the Solid Fuel appliances.

1. GENERAL POINTS

- 1.1 Before use of this appliance please read these instructions fully.
- 1.2 All local regulations, including those referring to national and European Standards need to be complied with when installing the appliance.
- 1.3 Do not obstruct inside or outside ventilation required for the safe use of this appliance.
- 1.4 Do not make unauthorised changes to the appliance.

2. OPERATING THE BOILER WITH A THERMOSTAT FITTED

- 2.1 When burning solid mineral fuels ensure that the Airwash and Primary Air controls are fully shut, diagram below. This allows the thermostat to fully control the burn rate of the appliance.



- 2.2 When burning wood shut the primary air control completely and shut the air wash to about 30% open.

NOTE: Experience establishes settings to suit personal preference.

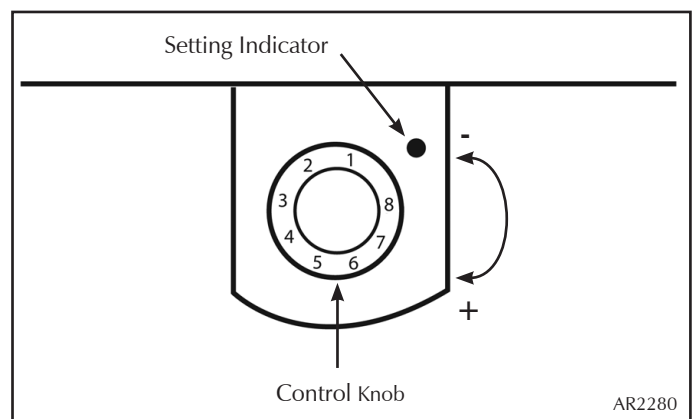
- 2.3 The thermostat operates by controlling combustion air entering the boiler. The higher the thermostat setting the hotter the temperature of the water leaving the boiler. The lower the setting the lower the temperature of the water leaving the boiler.

NOTE if the thermostat is set to maximum the water leaving the boiler will be approximately 85°C.

- 2.4 The exact setting of the thermostat may need slight adjustment by trial and error to suit requirements.
- 2.5 See the instructions provided with the boiler for the lighting procedure.

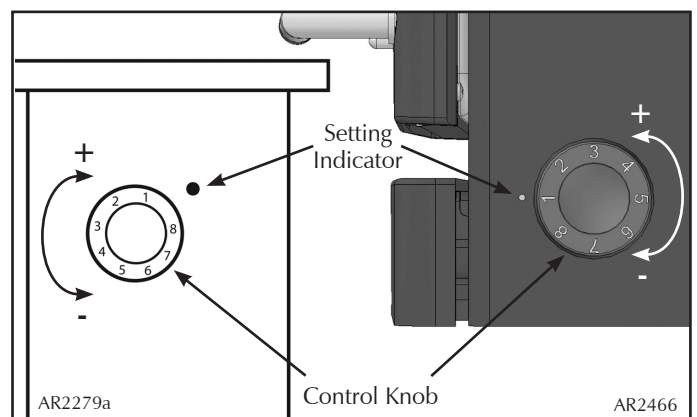
THERMOSTAT CONTROLS

DEVON / COUNTY 60 / COUNTY 80



CL7 INSET

CL 8HB



INSTALLATION INSTRUCTIONS

These instructions cover the fitting of the Thermostat Kit

1. PARTS LIST

Product Code	Appliance	Thermostat kit Part No.
YM-W9202HB YM-W9302HB YM-W9902HB	Devon 50 County 60 County 80	YM-ASTATST
YM-CL8HB	CL8	YM-ASTATST
YM-7NHB	CL 7 INSET	YM-ASTATIN

CL 7 INSET (YM-ASTATIN) kit contains:

- 2 M6 x 50 Hex head screws
- 2 6mm Washer
- 2 Spacers
- 1 Control Knob
- 1 Thermostat Assembly
- 1 Instruction book

DEVON / COUNTY / CL8 (YM-ASTATST) kit contents:

- 3 Cable ties
- 2 M6 x 50 Hex head screws
- 2 6mm Washers
- 2 8mm Washers
- 1 Thermostat Bracket
- 1 Thermostat Heat Shield
- 1 Control Knob Bracket
- 2 'R' Clips
- 1 Flexible Drive
- 1 Drive Cover
- 1 Control Knob
- 1 Thermostat Assembly
- 1 Instruction Book

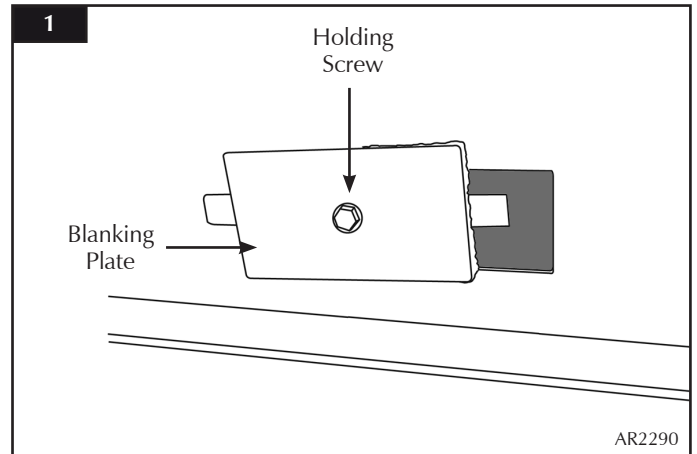
2. INSTALLATION

Devon & County 60/80

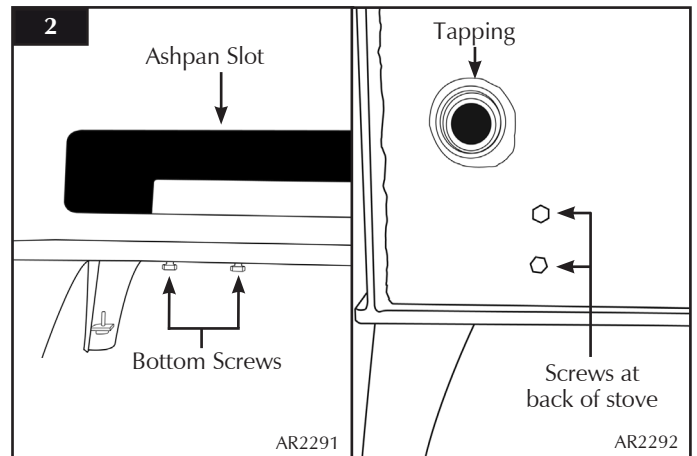
Note: it is recommended that the thermostat is fitted before the stove is installed. The diagrams in these instructions reflect this method of installation.

To install the Thermostat kit:

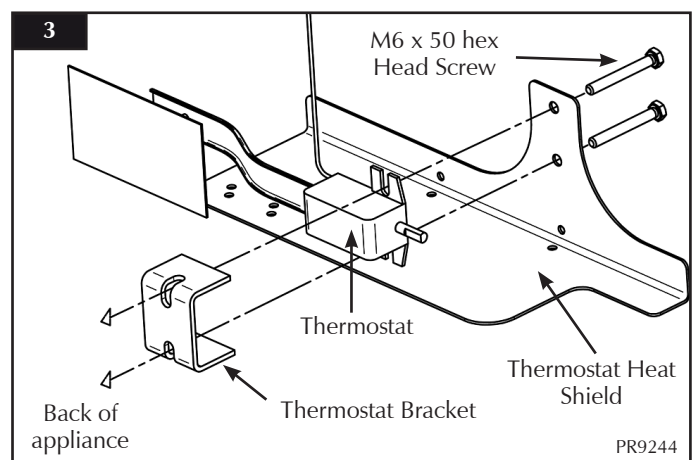
- 2.1 Remove the blanking plate to expose the airway the thermostat controls. This is located on the rear of the appliance (see Diagram 1).



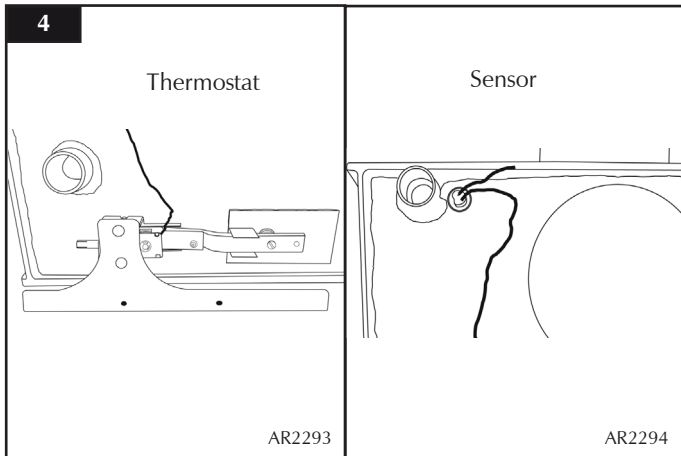
- 2.2 Remove the two fixing bolts at the rear and the two screws under the base of the appliance (see Diagram 2).



- 2.3 Fit the thermostat into position on the rear of the appliance, as shown in Diagrams 3 & 4, using the 2 long fixing screws supplied.

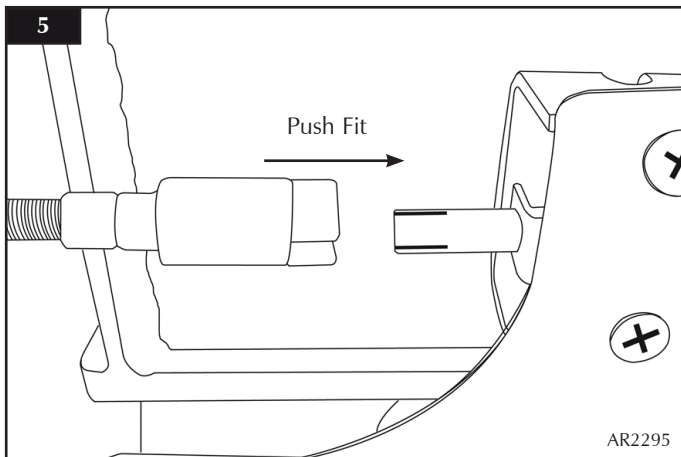


INSTALLATION INSTRUCTIONS

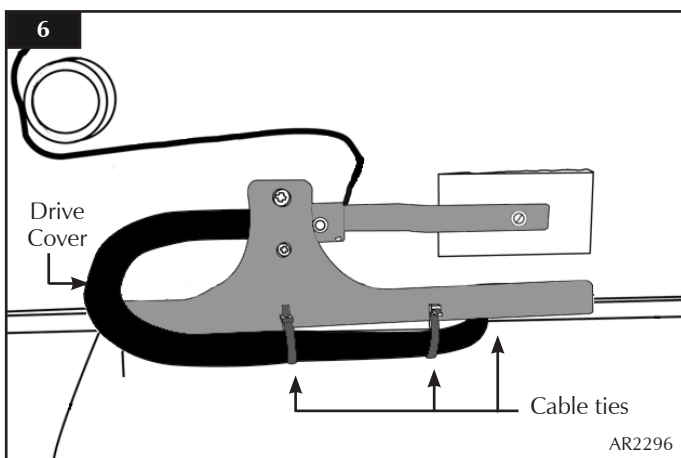


2.4 Push the sensor into position in the hole next to the boiler tapping.

2.5 Fit the flexible drive to the thermostat (see Diagram 5).

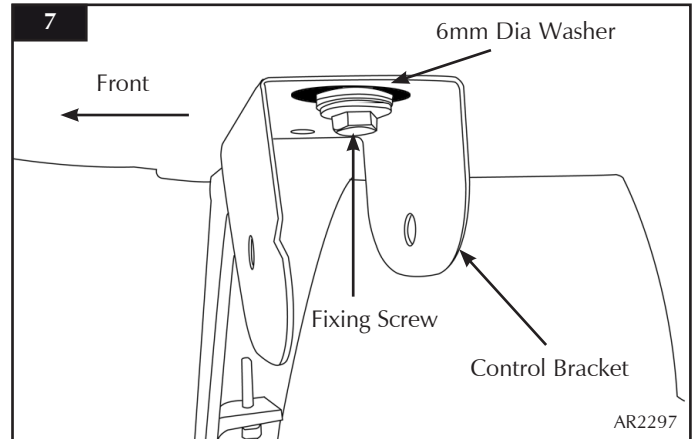


2.6 Slide the plastic cover over the drive and secure to the heat shield using the 3 x cables supplied (see Diagram 6).

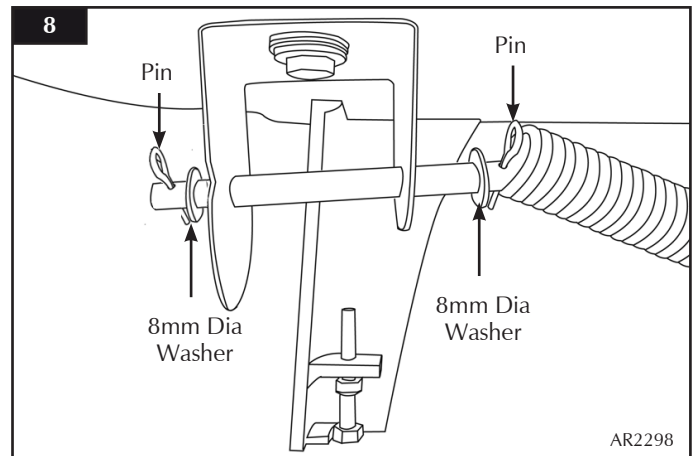


2.7 Fix the control bracket to the underside of the base plate using the short fixing screws previously removed from the holes (see Diagram 7).

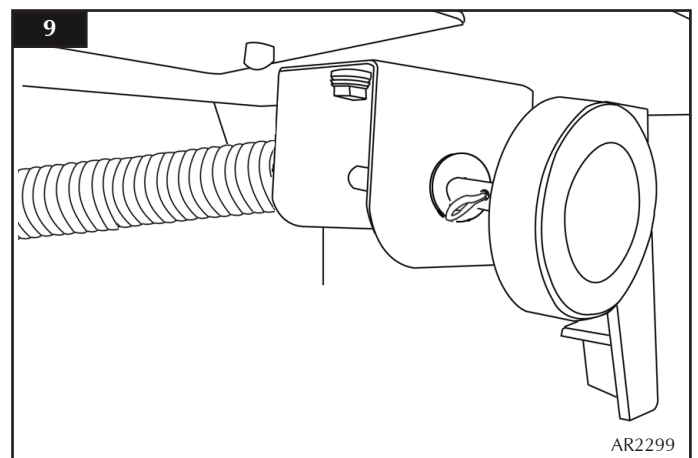
Note: the bracket has a slotted hole so that it can be positioned further forward or backward depending on preference.



2.8 Fit the drive to the control bracket using the washers and pins as shown in Diagram 8.



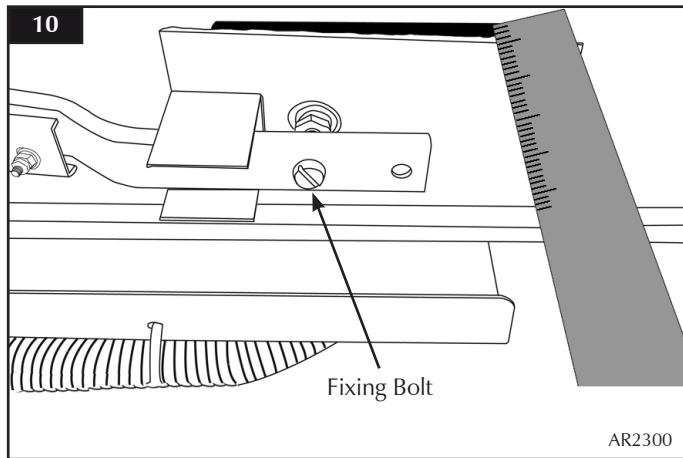
2.9 Fit the control knob to the drive cable (see Diagram 9).



2.10 Check the damper plate setting by turning the thermostat control clockwise until fully open and measuring the distance between the base plate and the back of the appliance. This should be 23mm.

INSTALLATION INSTRUCTIONS

2.11 To adjust the position turn the fixing bolt shown in Diagram 10.



2.12 Turn the control anti-clockwise to the fully closed position and check the gap. This should be 5mm.

To maintain the correct water temperature the control should not close fully.

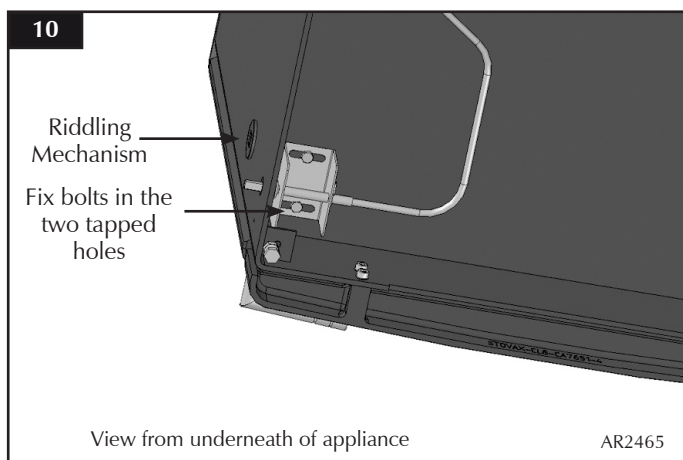
CL 8HB

Note: it is recommended that this thermostat is fitted before the stove is installed. The diagrams in these instructions reflect this method of installation.

To install the Thermostat kit:

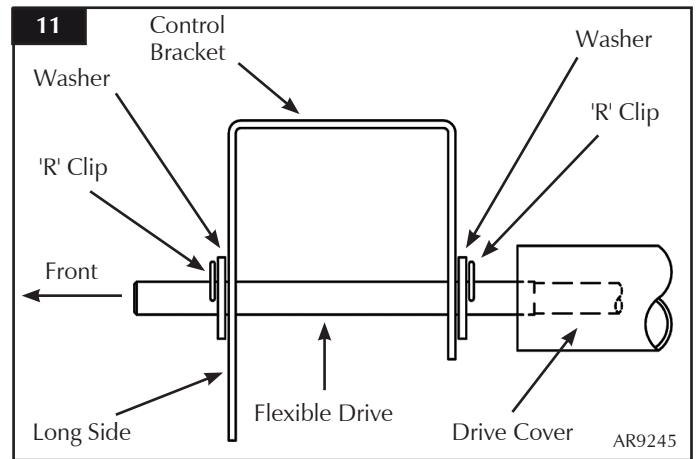
2.13 Follow points 2.1 - 2.6.

2.14 On the underside of the appliance remove the two fixing screws on the left-hand side, near the riddling mechanism (see Diagram 10).



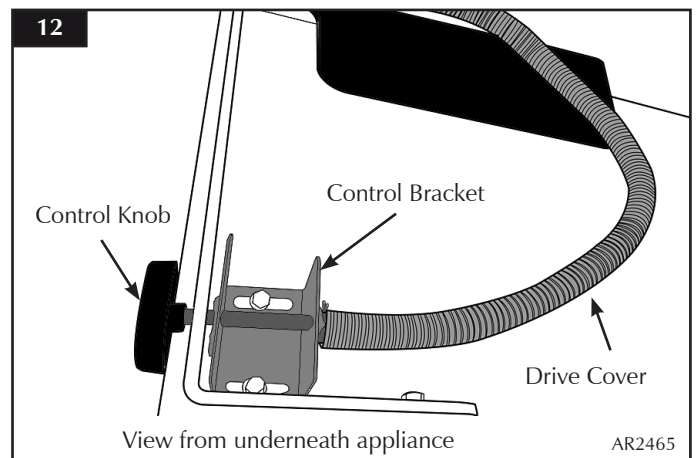
2.15 Remove the small plug from the operating shaft hole on the side of the appliance.

2.16 With the long side of the bracket at the front, fix the flexible drive cable to the control bracket using the 'R' clips and 8mm washers provided. Ensure the drive cable is fitted before the bracket.



2.17 Push the control shaft through the hole in the side of the appliance body and fix the control bracket to the underside of the appliance using the screws previously removed and the existing fixing holes.

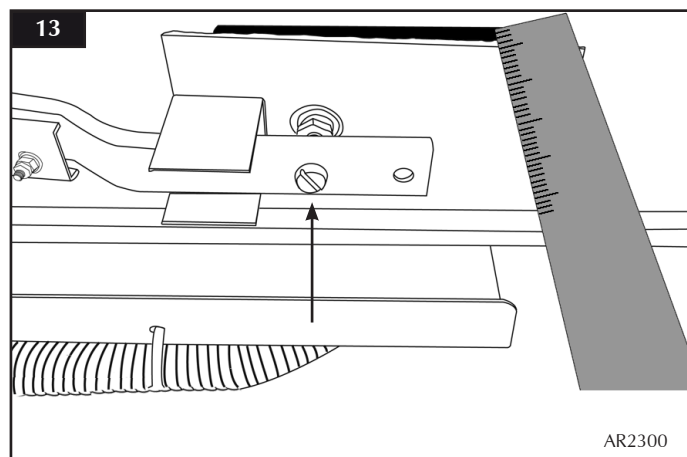
2.18 Fit the control knob to the drive cable (see Diagram 12).



2.19 Check the damper plate setting by turning the thermostat control clockwise to the fully open position. Measuring the distance between the base plate and the back of the appliance. This should be 23mm.

INSTALLATION INSTRUCTIONS

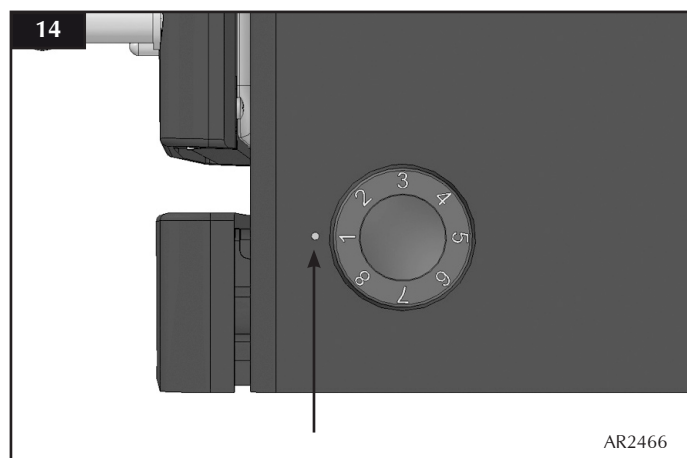
- 2.20 To adjust the position turn the fixing bolt shown in Diagram 13.



- 2.21 Turn the control anti-clockwise to the fully closed position and check the gap. This should be 5mm.

To maintain the correct water temperature the control should not close fully.

- 2.22 A hole on the side of the appliance indicates the temperature settings of the thermostat (see Diagram 14).

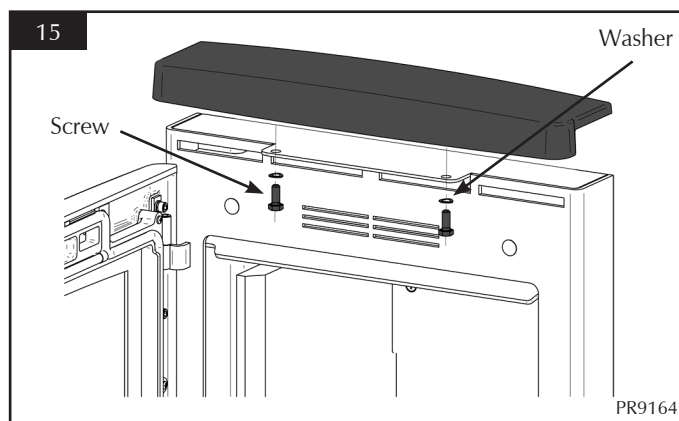


CL 7 INSET

Note: it is recommended that the thermostat is fitted before the stove is installed. The diagrams in these instructions reflect this method of installation.

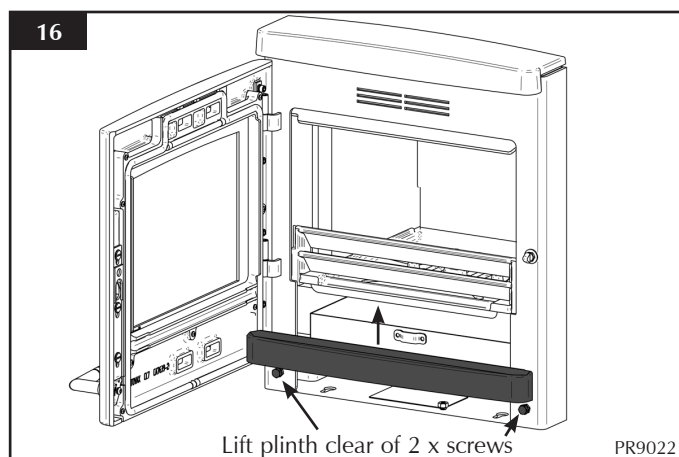
To install the Thermostat kit:

- 2.23 Remove the steel top and glass top, if fitted. To do this open the door and remove the 2 x M8 x 20 hex head screws and M8 crinkle washers (see Diagram 15).



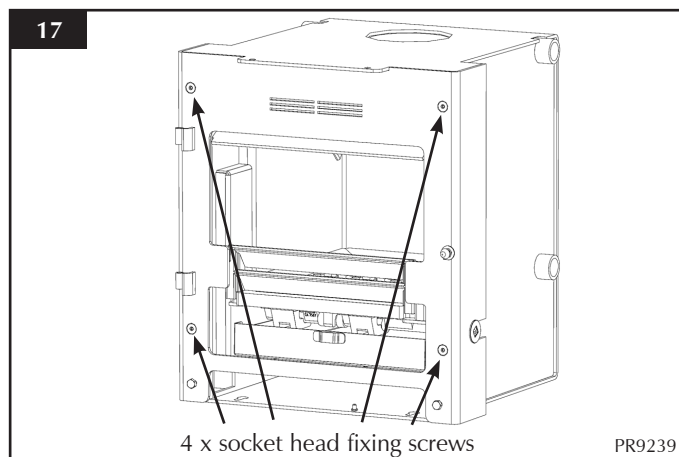
- 2.24 With the door open lift it clear of the hinges to remove it. Lie the door face down on a soft, flat surface, to protect the paintwork, glass and controls.

- 2.25 Remove the glass plinth by lifting it upward to clear the 2 x side fixing screws (see Diagram 16).



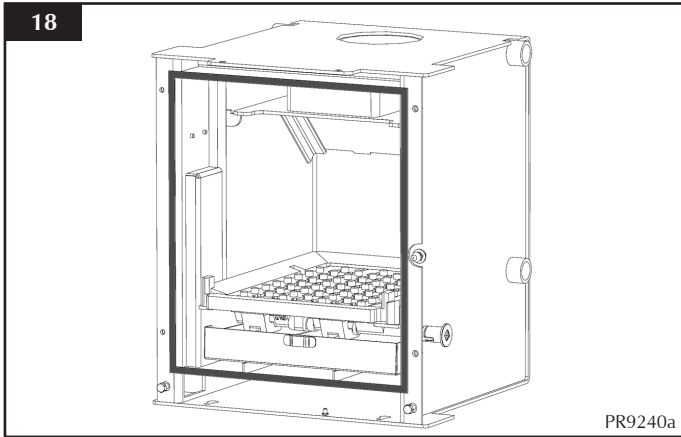
- 2.26 Remove the log guard.

- 2.27 Remove the front of the appliance by removing the 4 x hex socket head fixing screws shown in Diagram 17.

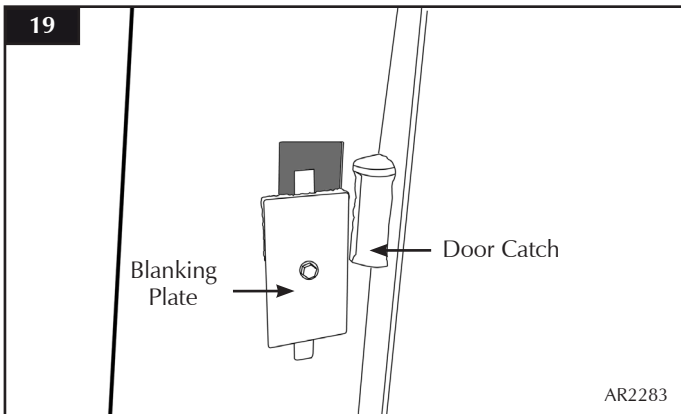


- 2.28 Remove the front section of the appliance and store in a safe place.

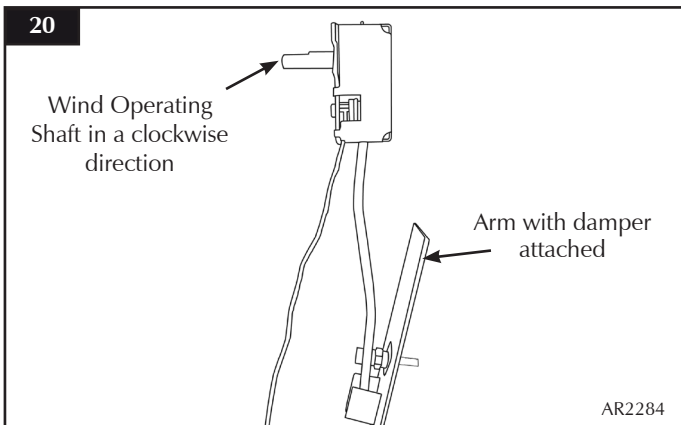
INSTALLATION INSTRUCTIONS



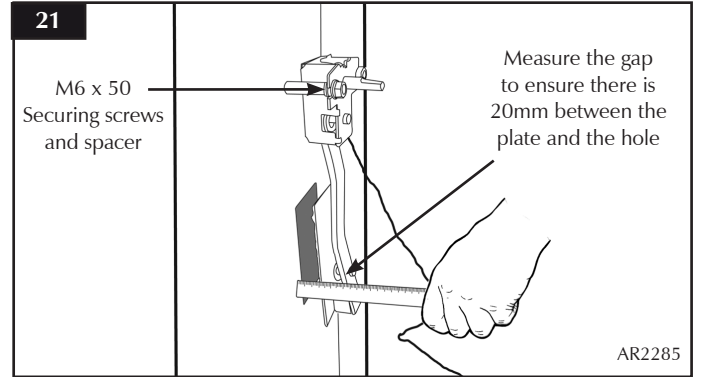
- 2.29 Check the condition of the seal around the edges of the appliance.
- 2.30 The blanking plate is located on the lower left hand side of the appliance. Using a 10mm spanner **loosen** the bolt (**do not undo the bolt completely**) exposing the airway controlled by the thermostat (see Diagram 19).



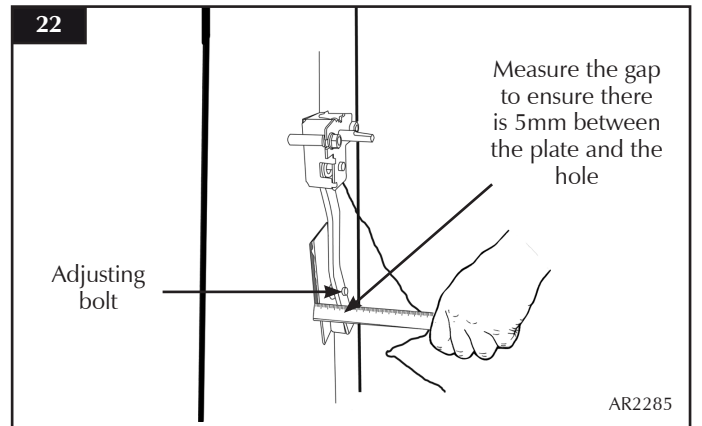
- 2.31 Remove the blanking plate with bolt still attached.
- 2.32 Ensure the thermostat is open by winding the operating shaft clockwise until the arm stops (see Diagram 20).
This will now be in the most open position.



- 2.33 Secure the thermostat to the side of the appliance using the M6 x 50 screws and spacers, ensuring that the damper is 20mm away from the hole (see Diagram 21).

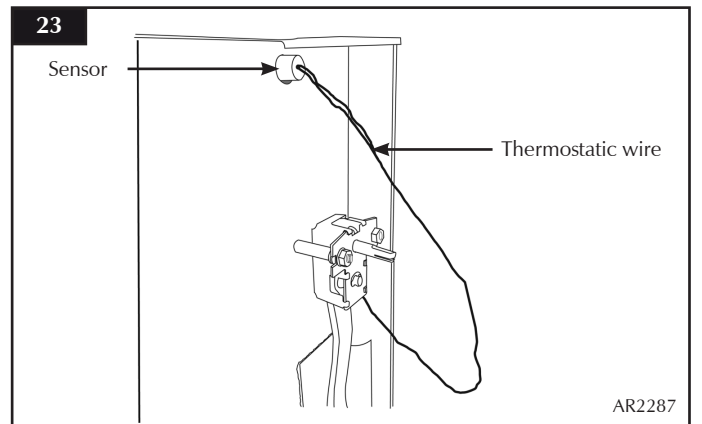


- 2.34 Wind the thermostat in by turning the operating shaft anti-clockwise. Ensure that the damper is 5mm away from the hole. Adjust the bolt on the cover plate to help achieve this distance (see Diagram 22).



The gap must remain open - DO NOT SEAL.

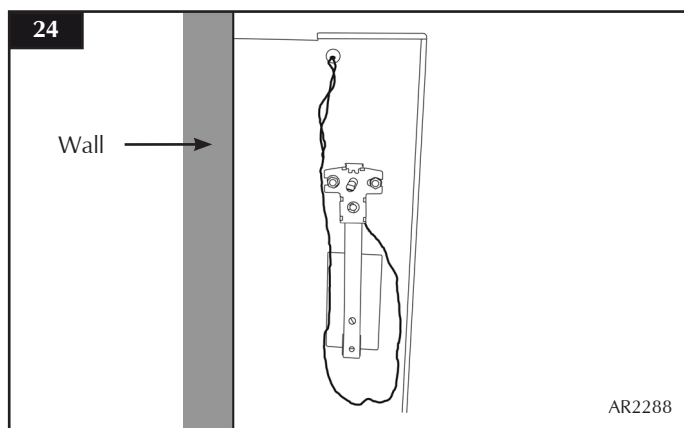
- 2.35 Fit the temperature sensor by inserting into the hole at the top of the appliance (see Diagram 23).



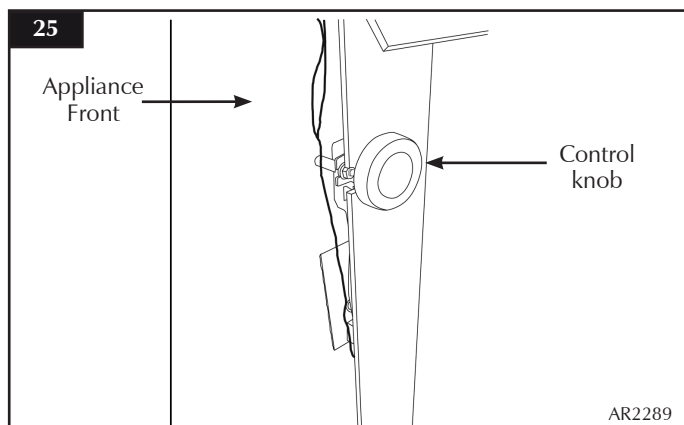
- 2.33 Carefully tidy the wire so it does not interfere with the operation of the thermostat (see Diagram 24).

INSTALLATION / COMMISSIONING

Take care as the wire contains oil.



2.34 Replace the appliance front and fit the control knob (see Diagram 25).



2.35 Check the rope seal is not damaged and reverse operation of sections 2.23 - 2.28.

COMMISSIONING

To commission:

- 1.1 Before lighting the appliance check the operation of the thermostat by turning the control knob and ensuring the lever arm moves in either direction.
- 1.2 Close all the air controls if burning anthracite/smokeless fuels.
- 1.3 Refer to the boiler instruction manual for details on commissioning the appliance.

Finally:

- 1.4 **Explain the safe operation of the appliance fitted with a thermostat, the use of the controls to the user and the importance of only using suitable fuels.**
- 1.5 **Explain the cleaning and routine maintenance requirements.**
- 1.6 **Explain the requirement to use a suitable fireguard when children, elderly or infirm persons are near the appliance.**
- 1.7 **Ensure that a CO alarm conforming to the latest edition of BSEN50291 has been fitted and make the user aware of its operation and importance, referring them to the Warning section on page 5 of the User Instructions supplied with the appliance.**
- 1.8 **Record dealer/supplier details and installer details in *Instructions*.**
- 1.9 **Record serial number in page 3 of the User Instructions supplied with the appliance.**

This number is required when ordering spare parts and making warranty claims.
- 1.10 **Give the copy of these *Instructions* to the customer.**



A division of Stovax

Stovax Ltd, Falcon Road, Sowton Industrial Estate, Exeter, Devon, England EX2 7LF

Tel: (01392) 474011 Fax: (01392) 219932 E-mail: info@stovax.com www.stovax.com